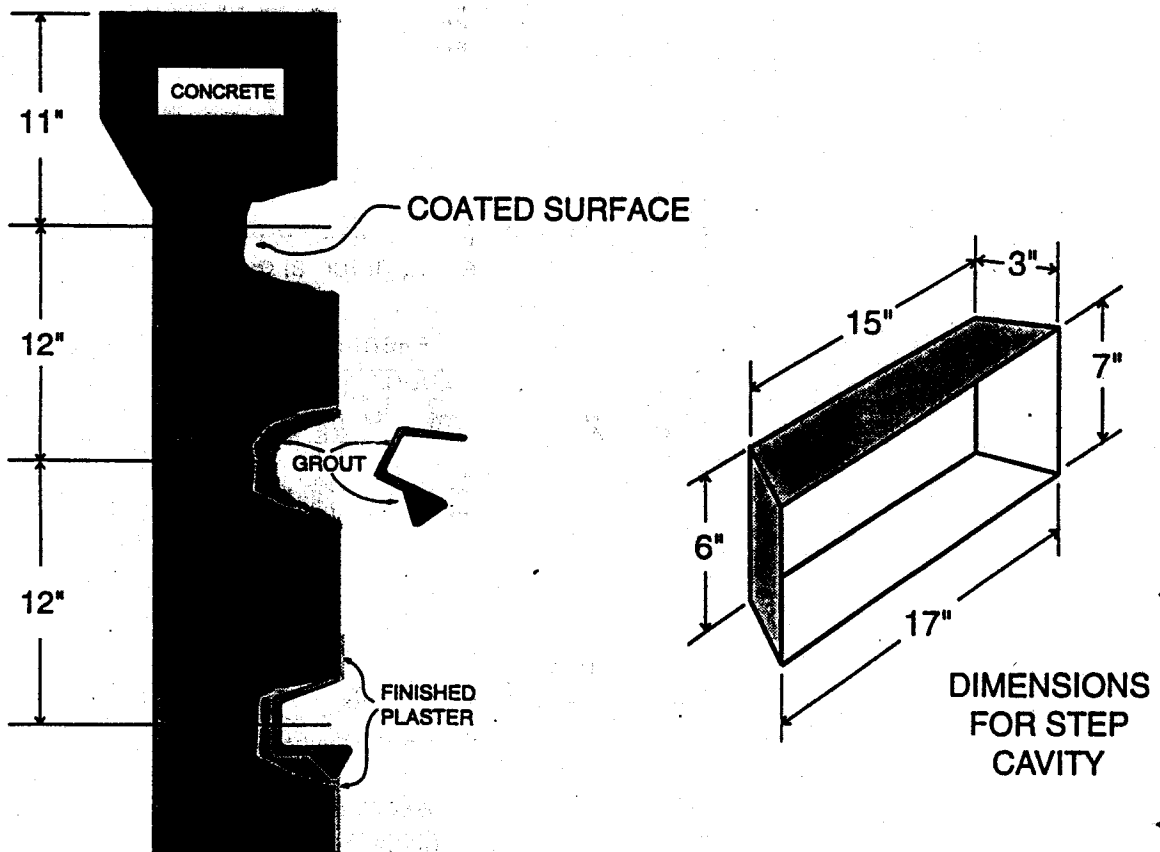


RECESSED STEPS Installation instructions

1. Before installing steps coat inside of cavity with creamy mixture of pure cement and water to make a waterproof seal.
2. Fill back of step and cavity with grout as shown. Check that there will be no air pockets when step is put in place.
3. Place step in cavity and make sure it is level, spaced properly and aligned with the other steps. Face of step should extend $\frac{3}{8}$ " past pool wall in order to be flush with plaster. Work in grout around sides of steps to insure secure anchorage.



⚠ WARNING

Risk of bodily injury. Fill back of step with grout. Partially filled or unfilled steps can break during use causing injury to pool users.

Corporate Headquarters - 10951 West Los Angeles Ave. Moorpark, CA 93021
Southeastern Division - 10208 General Drive, Orlando, FL 32824
Northeastern Division - 65 Clyde Rd. Somerset, NJ 08873

